

INSTRUCTIONS FOR USE

USE

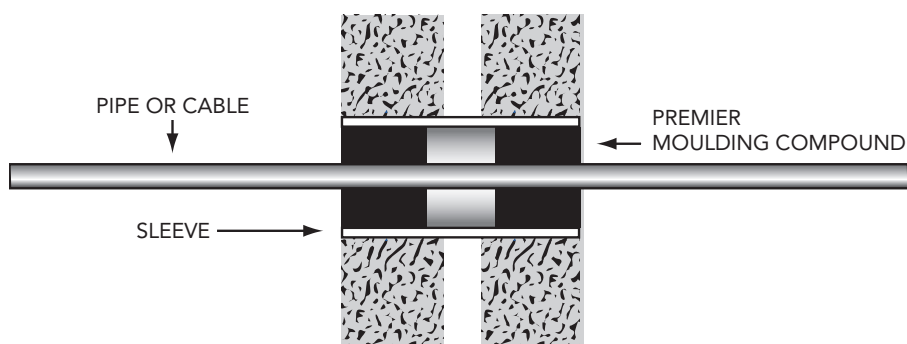
For the sealing of ducts and service entry sleeves against entry of water or gas. For moulding around irregular profiles such as flanges, valves and couplings to provide a suitable contour for wrapping with anti-corrosion tapes.

SURFACE PREPARATION

Surfaces must be clean, dry and dust free. Remove all loose rust, scale and flaking coatings by scraping, wire brushing or blast cleaning.

PRIMING

For duct or sleeve sealing do not use primer. For profiling prior to the application of anti-corrosion tapes, apply appropriate primer for the tape (e.g. PREMPASTE™ for PREMTAPE™ or PREMCOTE™ PRIMER for PREMCOTE™ or PREMCOTE R™ cold applied laminate tapes).

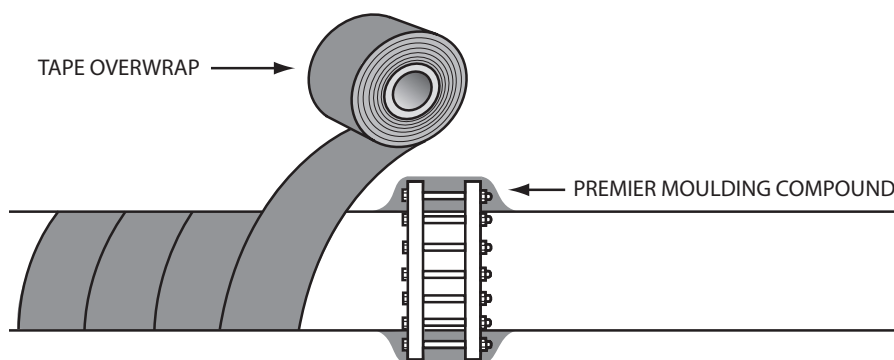


APPLICATION - A) DUCTS, SLEEVES AND SERVICE ENTRIES

Pack PREMIER™ MOULDING COMPOUND by hand into the annular space between the cable or service pipe and the duct or sleeve pipe. Force the mastic into the gap to a depth at least equal to the diameter of the sleeve or duct. Smooth the exposed surfaces and ensure that the spaces between pipes or cables are properly sealed.

APPLICATION - B) VALVES, FLANGES AND COUPLINGS

Prepare the surface and apply primer required for the anti-corrosion tape. Press PREMIER™ MOULDING COMPOUND into cavities, into angles to form a fillet and around bolt heads to form a rounded profile suitable for wrapping with tape without forming bridges or voids.



OVERWRAPPING

PREMIER™ MASTIC BLANKETS must be wrapped with anti-corrosion tape to complete protection. See 'Instructions for Use' for the particular tape. Detailed instructions and quantities tables for standard fittings are available from the manufacturer.

INSTRUCTIONS FOR USE

STORAGE

Store correct way up in original packaging.
Store in a cool dry place away from heat and open flames.

TRANSPORT

No special precautions necessary.

HANDLING

- Grease resistant gloves are advised to reduce skin contact.
- Avoid contact with arms and face etc
- Wash thoroughly with soap and water after use and before work breaks to remove compound from the skin.
- Careful attention should be given to personal hygiene.
- Change and clean soiled clothing

ACTION IN CASE OF...

FIRE: Extinguish with dry powder, carbon dioxide or chemical foam. Use air breathing equipment in case of large fires in confined spaces

SKIN CONTACT: Wash with warm water and mild soap.

EYE CONTACT: Irrigate eyes thoroughly with clean water.

SWALLOWING: Obtain medical advice if necessary.

Please refer to Safety Data Sheets for full information.

DISPOSAL

Please minimise or avoid waste wherever possible. Please do not discard waste material, including packaging, in the surrounding environment. Follow all relevant legislation for disposal.

IMPORTANT: Premier Coatings Ltd pursue a policy to develop and continually improve all of our products and therefore information given in this data sheet is intended as a general guide and does not constitute a warranty or specification. However, our sales personnel are committed to assisting the user in establishing the suitability of the product for its intended purpose and additional specific information is available on request. These Instructions may not cover all circumstances and must be read in conjunction with the project specifications.

For further advice contact Premier Coatings Ltd.



PREMIER COATINGS LTD

Headcorn Road, Smarden, Ashford, Kent TN27 8PJ, United Kingdom

TEL: +44 (0) 1233 770663 • EMAIL: enquiries@premiercoatings.com

WEB: www.premiercoatings.com

A MEMBER OF WINN & COALES INTERNATIONAL

