

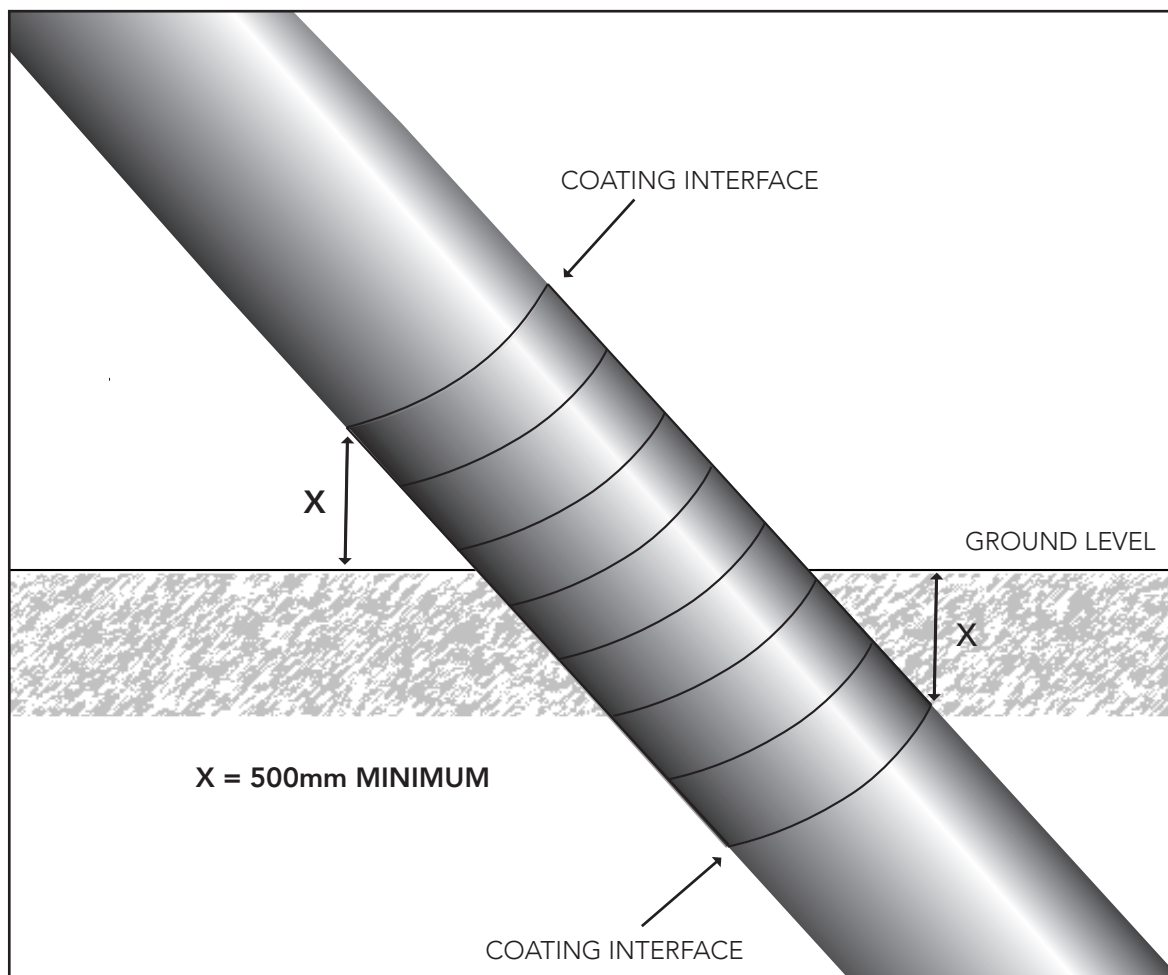
FOR ELEVATED TEMPERATURE CONDITIONS

INSTRUCTIONS FOR USE

The following 'Instructions For Use' outlines the correct application for Soil Air Interface pipework in elevated temperature conditions.

COMPONENTS IN SEQUENCE OF APPLICATION

1. Premier Hi-Heat Tape™
2. Premier Glass Outerwrap™
3. Premier Clear Outerwrap™ (temporary use to aid cure of Glass Outerwrap)
4. Archco 65™



APPLICATION - SURFACE PREPARATION

Surfaces must be clean and dry. Remove all loose rust, scale and flake coatings by power tool or wire brushing. The minimum surface preparation for Premier Hi-Heat Tape™ application is St2.

NOTE: This application does NOT require a primer as the Premier Hi-Heat Tape is designed to wet through the prepared substrate at elevated temperatures.

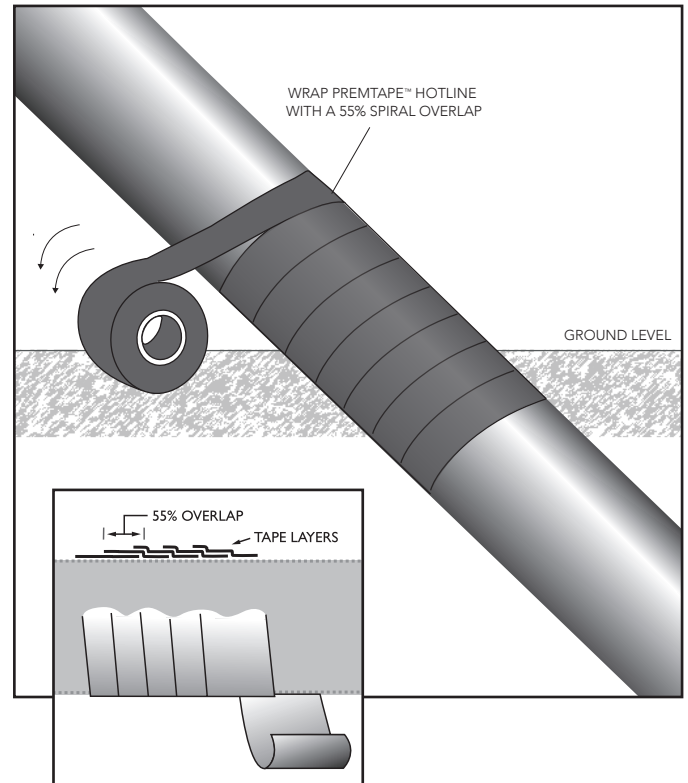
FOR ELEVATED TEMPERATURE CONDITIONS

PETROLATUM INNERWRAP APPLICATION

Select as wide a width of Premier Hi-Heat Tape™ as practical, e.g. 100mm wide for 100mm diameter pipe.

Press the end of the tape firmly onto the pipe and unroll the tape around the pipe spirally, overlapping each turn by 55% to give double thickness.

Apply sufficient tension to conform the tape to the surface without gaps. Do not overstretch. Start a new roll by overlapping the ends by one tape width.

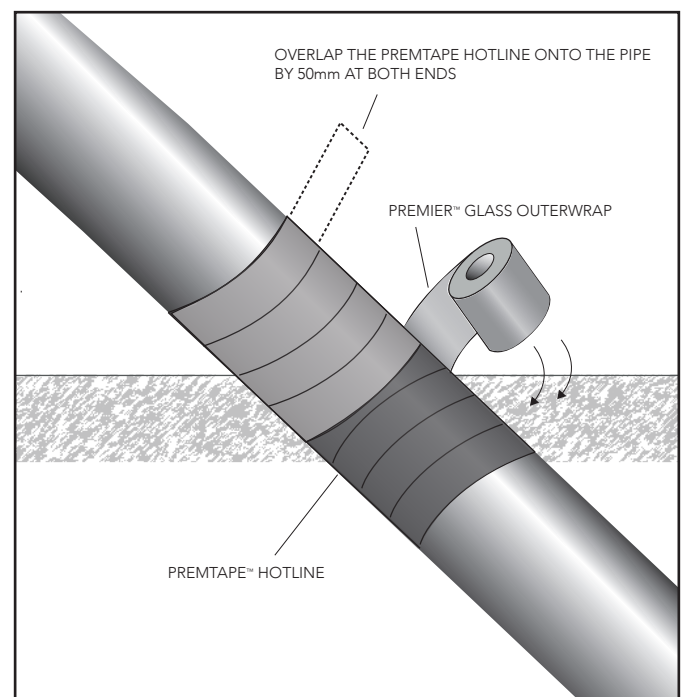
**FIBRE GLASS OUTERWRAP APPLICATION**

Using rubber gloves, remove the Premier Glass Outerwrap™ from the sealed foiled pouch and soak in temperate water (salt or fresh) for 20 to 30 seconds.

Remove from the water and begin wrapping in the opposite direction to the petrolatum innerwrap to achieve a crosswrap. The Premier Glass outerwrap is to overlap the Premier Hi-Heat Tape onto the pipe by a minimum of 50mm at both ends of the section being protected.

Maintain sufficient tension to ensure that the tape conforms to the surface without gaps. Repeat this, overlapping each turn by 55% to give double thickness. Start a new roll by overlapping the ends by one tape width.

FOR ADDITIONAL MECHANICAL PROTECTION, UP TO FOUR LAYERS OF PREMIER GLASS OUTERWRAP CAN BE APPLIED.



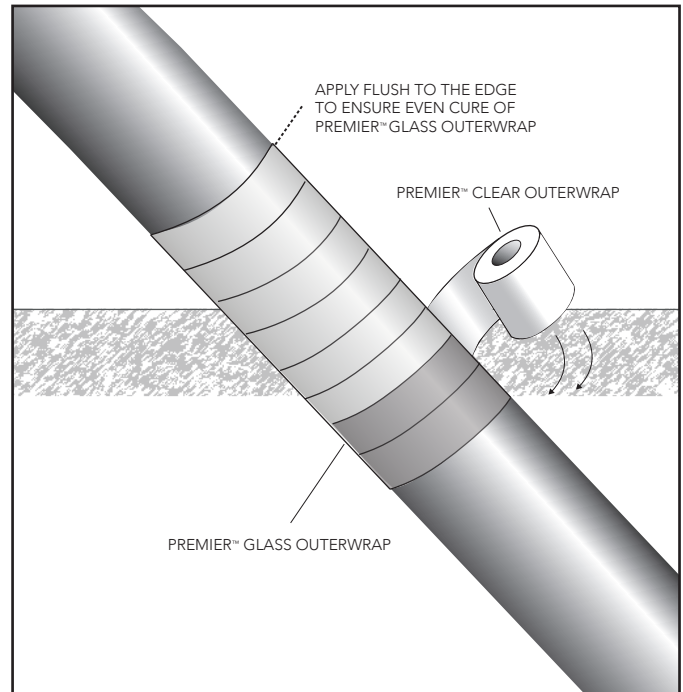
NOTE: USE CROSSWRAP PROCEDURE

FOR ELEVATED TEMPERATURE CONDITIONS

CLEAR OUTERWRAP APPLICATION

Apply Premier Clear OuterwrapTM with sufficient tension to conform the tape to the surface without gaps. Do not overstretch. Overlap the tape with a 55% overlap.

NOTE: IT IS ESSENTIAL TO REMOVE THE CLEAR OUTERWRAP once the Glass Outerwrap has cured.

**TOPCOAT APPLICATION**

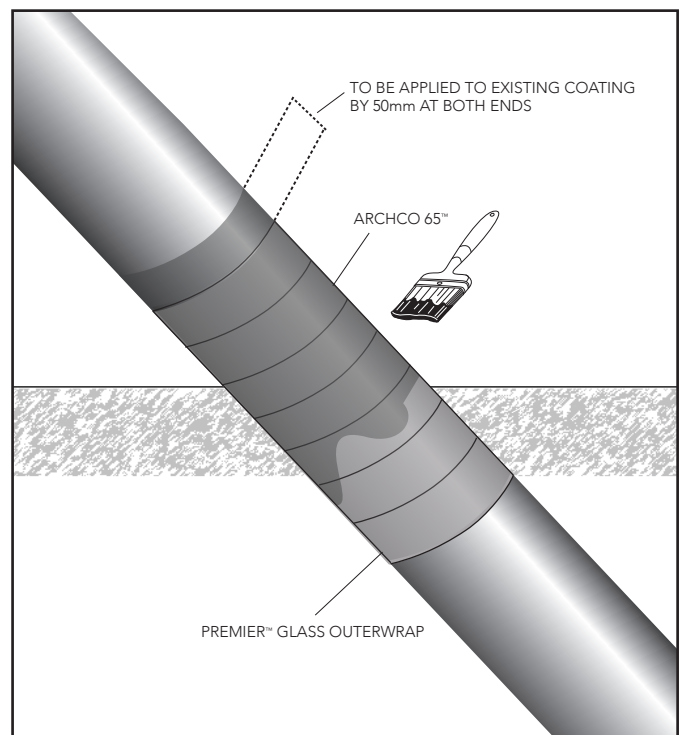
Mix the topcoat at a slow speed until a constant colour is achieved making sure all sides of the container are scraped. Archco 65TM can be brushed, rolled or sprayed.

Once the Glass Outerwrap has cured and the PREMIER Clear Outerwrap has been removed, apply the topcoat according to the below Film Thickness:

Wet: 2 coats at 5 to 8 mils (125-203 microns) per coat

Dry: 2 coats at 3 to 5 mils (76-125 microns) per coat

When applying the topcoat use a wet film thickness gauge to measure mil thickness.



FOR ELEVATED TEMPERATURE CONDITIONS

INSTRUCTIONS FOR USE

STORAGE:

Store correct way up in original packaging. Store away from direct heat and open flames.

TRANSPORT:

No special precautions necessary.

HANDLING:

- Avoid contact of the compound with face, arms, etc.
- Wash thoroughly after use and before work breaks to remove compound from the skin.
- Careful attention should be given to personal hygiene.
- Change and clean soiled clothing
- Change and clean soiled clothing

ACTION IN CASE OF...

FIRE: Extinguish with dry powder, carbon dioxide or chemical foam. Air breathing equipment may be necessary in large fires.

SKIN CONTACT: Wash with warm water and mild soap.

DISPOSAL:

Incineration or approved dumping.

Please do not discard waste material, including packaging, in the surrounding environment. Follow all relevant legislation for disposal.

IMPORTANT: Premier Coatings Ltd pursue a policy to develop and continually improve all of our products and therefore information given in this data sheet is intended as a general guide and does not constitute a warranty or specification. However, our sales personnel are committed to assisting the user in establishing the suitability of the product for its intended purpose and additional specific information is available on request. These Instructions may not cover all circumstances and must be read in conjunction with the project specifications. For further advice contact Premier Coatings Ltd.



PREMIER COATINGS LTD

Headcorn Road, Smarden, Ashford, Kent TN27 8PJ, United Kingdom
TEL: +44 (0) 1233 770663 • EMAIL: enquiries@premiercoatings.com
WEB: www.premiercoatings.com

